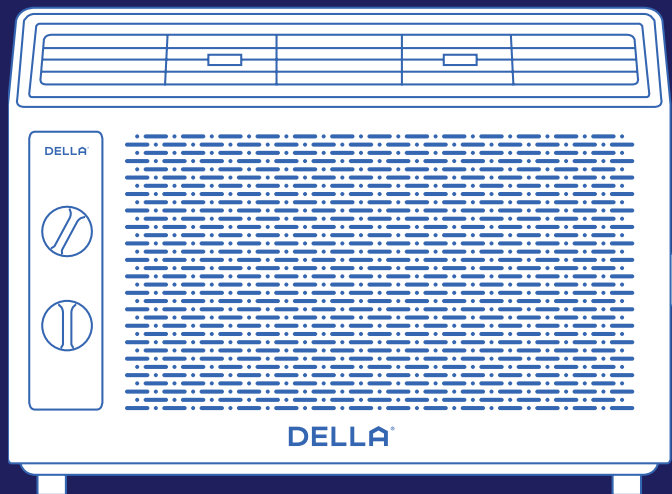


DELLA®



Fenestra Window AC (5K)

Instruction Manual
Installation and Operation Guide



Table of Content

Before Installation

Warning and Safety	04
Name of Parts	07
Product Specification	08

Installation

Installation Preview	09
Installation	10

Before Using

Operation Tips	17
Parts of the Air Conditioner	18
Drain Plug	18
Operation Temperature Limit	18
Control Panel	19

Basic Operation

Adjust Air Flow Direction	20
---------------------------	----

Care and Maintenance

Air Filter	21
Maintenance Routine	22

Having Problems?

Troubleshooting	23
Disposal Guideline	25
Warranty	26

Warning and Safety

- Read this guide before installation. Failure to follow the safety instructions may result in property damage, serious injury, or death.
- Please Keep this manual.



Danger:

Indicates an **IMMINENTLY** hazardous situation that, if not avoided, will result in death, serious injury, or serious property damage.



Warning:

Indicates an **POTENTIALLY** hazardous situation that, if not avoided, will result in death, serious injury, or serious property damage.



Caution:

Indicates an **POTENTIALLY** hazardous situation that, if not avoided, will result in minor to moderate injury. It may also be used to indicate unsafe practice.



Attention:

Pay additional attention to the instruction.



DO NOT:

Indicates prohibited actions and / or practice.

About Refrigerant



- The air conditioner is pre-charged with refrigerant. Handle the air conditioner with care and check if there is any refrigerant leakage during installation. Refrigerants have no odor and can be toxic and flammable. Rapid evaporation of refrigerant may cause frostbite, cardiac arrhythmia, and / or irritation, as well as cause environmental damage.



- In the case of refrigerant leakage, shut down the appliance and disconnect from the power supply. An inspection must be performed by a qualified technician.

About Installation



- Do not install or use this appliance in the bathroom, laundry area, or places that might come into contact with water.
- Do not install or use this appliance near flammable substances such as alcohol, gasoline, paint, etc. Or pressurized containers such as spray cans.










- Do not store, install or use this appliance in a room with continuously operating ignition sources such as open flames, gas appliances, or electric heater.
- Do not alter, change, or modify the appliance.



- The window AC must be stored at its upright position for at least 48 hours before installation to allow the compressor's oil to settle and prevent damaging the compressor.
- Prevent children from accessing the work area during installation to prevent unforeseeable accident.
- The appliance must be securely attached to the window or wall opening to prevent the AC from falling out.
- Carry out a test run after the installation.
- The appliance should not be installed in a location where the air outlet of the unit is obstructed. Obstruction of these opening may cause damage or malfunctions to the appliance.
- Wear protective gloves and clothing during installation to prevent cuts or injuries.

Warning and Safety

About Power and Electricity	
 WARNING 	<ul style="list-style-type: none"> ▪ Ensure that the power voltage corresponds to that stamped on the rating plate. ▪ Make sure this appliance is connected to a properly grounded power outlet to prevent electric shock.
 WARNING 	<ul style="list-style-type: none"> ▪ Do not bend, tug, or compress the power cord during installation to prevent damaging the power cord. Damaged electrical cord should be replaced by a qualified electrician. ▪ This appliance must be plugged directly into a wall power socket. Do not use power extensions and / or multi-socket modules for appliance installation.

About Operation	
 WARNING 	<ul style="list-style-type: none"> ▪ Do not disconnect the appliance from the power supply before shutting off the appliance. This might create a spark and potentially cause a fire. ▪ Do not place flammable substances near the appliance. ▪ Do not climb onto or place any objects on the appliance. ▪ Do not insert any objects into the appliance to prevent damage or injury. ▪ Do not obstruct the air inlet or outlet. ▪ Do not operate the appliance with wet hands.
 CAUTION	<ul style="list-style-type: none"> ▪ If the appliance is used in areas without the possibility of ventilation, precautions must be taken to prevent any leaks of refrigerant. ▪ Only use the appliance as instructed in this booklet. These instructions are not intended to cover every possible condition and situation. As with any electrical household appliance, common sense and caution are therefore always recommended for usage and maintenance. ▪ This appliance is designed and made for air conditioning in domestic environments only. It must not be used for any other purpose such as drying clothes or cooling foods. ▪ This appliance can be used by children 8 years old or above and persons with reduced physical, sensory, or mental capabilities, or lack of experience and knowledge if they have been given supervision or instruction concerning the use of the appliance in a safe way and understand the hazards involved. ▪ Children shall not play with the appliance.

Warning and Safety

Encountering Troubles



- In the case of the appliance emitting smoke, burning smell, leaking water, or making unusual noise, shut down the appliance and disconnect from the power supply immediately. Contact a qualified technician for inspection and repair.

About Handling and Maintenance



- Do not attempt to disassemble, alter, or modify the appliance.
- Do not flush the air conditioner with water.

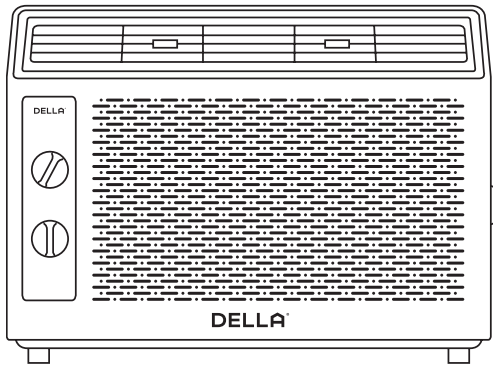


- Repairs should be carried out by a professional or qualified technician only. Incorrect repair could expose the user to potential electric shock or other kinds of hazard.
- Before cleaning the unit, the appliance must be shut down and disconnect from the power supply for at least 5 minutes.

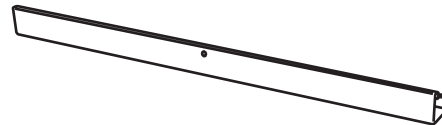
Name of Parts

Package Contents

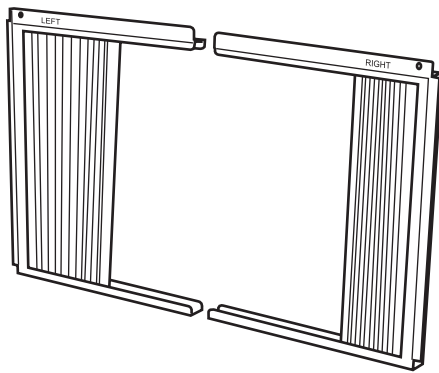
Before Installation
Before Installation



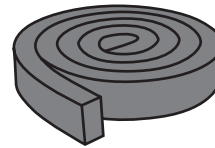
Window AC
1x



Top Rail
1x



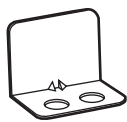
Filler Panel Set
1x



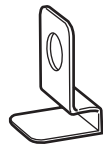
Window Sach Seal
1x



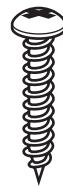
Foam Top Window Gasket
1x



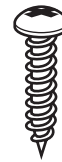
Sach Lock
1x



Lock Frame
2x



3/4" Screws
4x



1/2" Screws
3x



3/8" Screws
4x

Tools Needed (Not included)

- Screw Driver
- Power Drill
- Refrigerant Leak Detector
- Measuring Tape
- Thermometer
- Cutter / Scissors

Product Specification

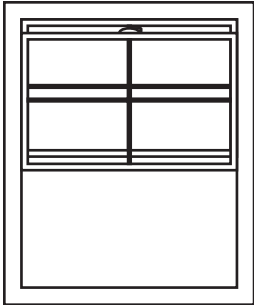
		048-TL-W5KWD
Power Supply		115 V / 60 Hz / 1P
Rated Capacity (Btu/h)		5000
Power Consumption		450 W
Rated Current		4.5 A
Noise Level	Indoor	51 - 55 dBA
	Outdoor	55 - 60 dBA
Dimension		15.98" x 13.66" x 12" 406 mm x 347 mm x 305 mm
Net Weight		36.4 lb / 16.5 kg
Suitable Area		100 - 150 sq. ft
Moisture Removal (per hour)		1.3 pints / 0.6 L
Refrigerant Type		R32
Refrigerant Amount		6.17 oz

Before Installation
Before Installation

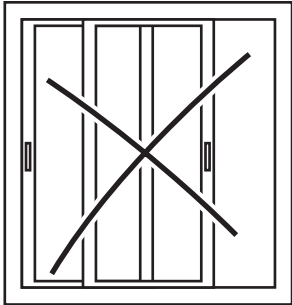
Installation Preview

Window Requirement

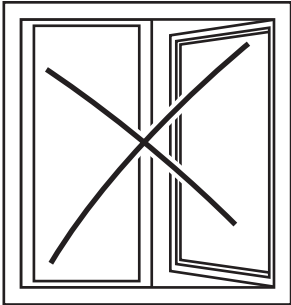
The air conditioner is deisnged to be installed in a standard single-hung or double-hung window. The AC would not fit in other window types.



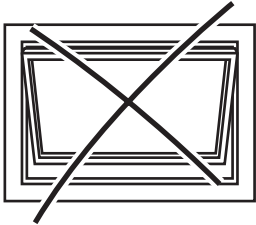
Single Hung / Double Hung Window



Sliding Window



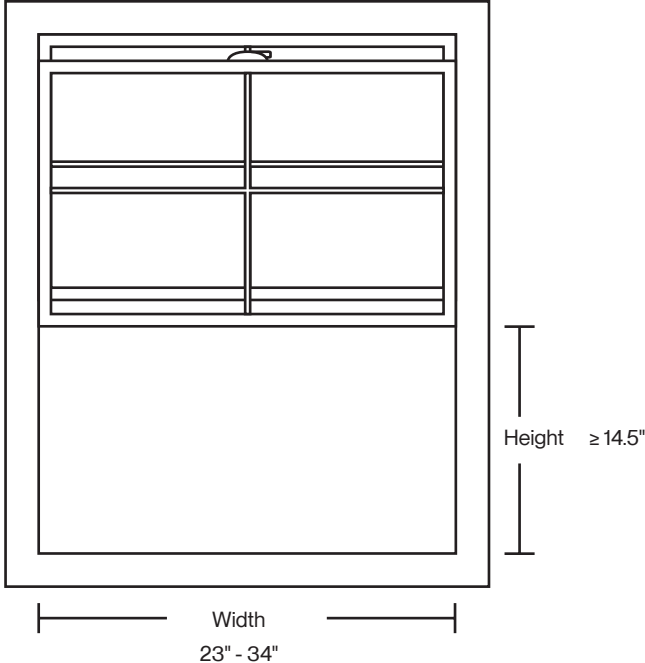
Casement Window



Awning Window

Make sure your window has enough clearance for the window AC to be properly seated in the opening.

Window Opening Size Requirement for Installation



Installation
Installation

Installation Preview

Picking a Installation Location

- Do not install the unit near a heat source, steam, or flammable gas.
- Do not install unit in a location where drain water would cause inconvenience to others.
- Make sure the window AC is installed in places where the power cord is long enough to reach an power outlet.
- Make sure there is no objects near the installation site which would obstruct air flow.

Installation

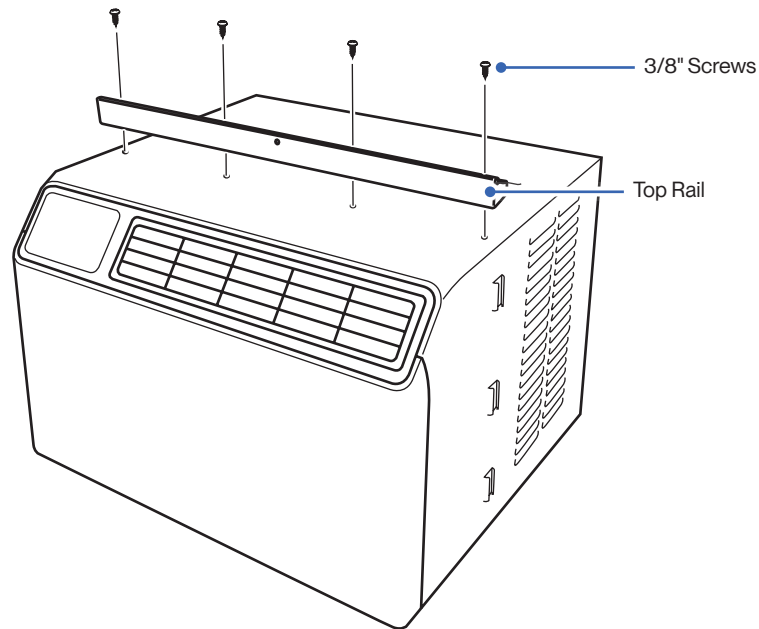
Attach Top Rail



- Wear protective gears when installing the AC to prevent cuts or injuries from sharp metal edges.
- Installation should performed by 2 people to prevent accident.



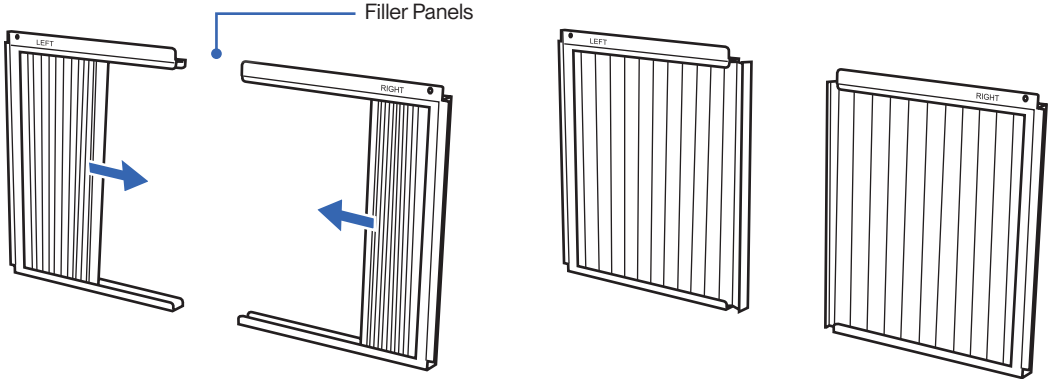
1. Attach the top rail on top of the window AC and secure it using 4 3/8" screws.



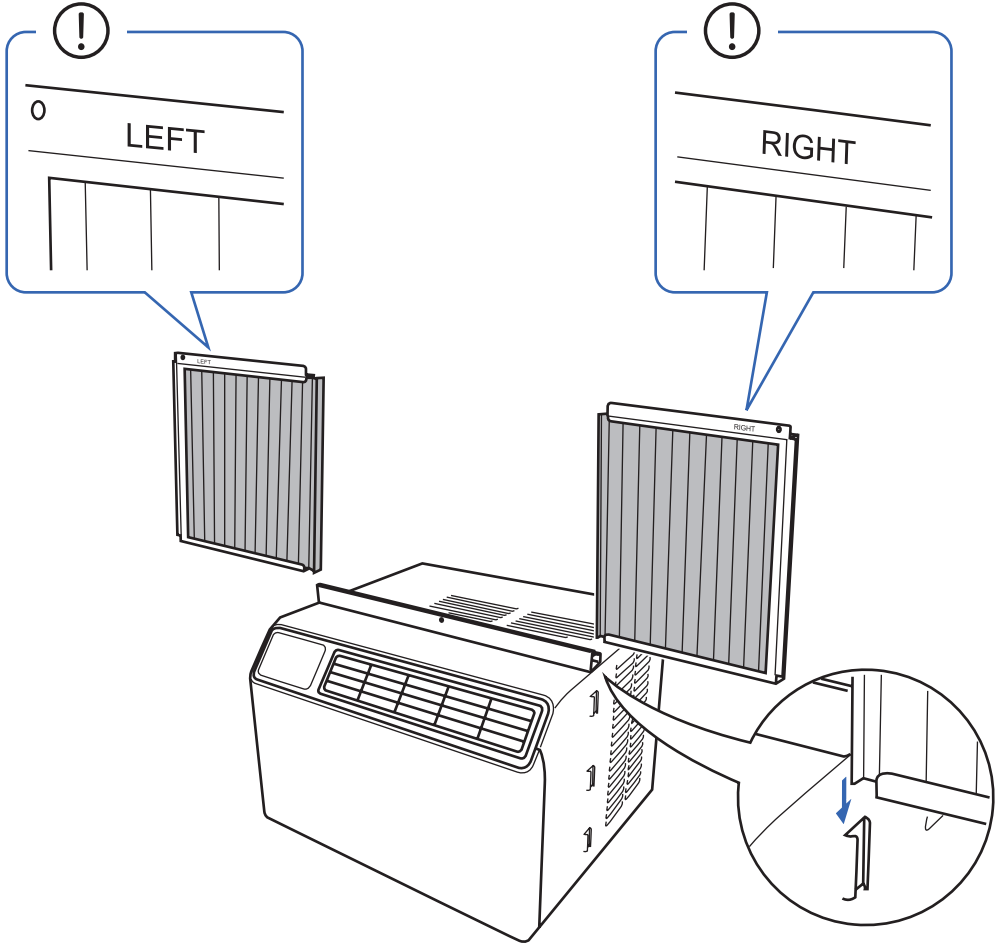
Installation

Attach Filler Panels

- 1. Fully extend the filler panels.



- 2. Slide the filler panels to the sides of the window AC.

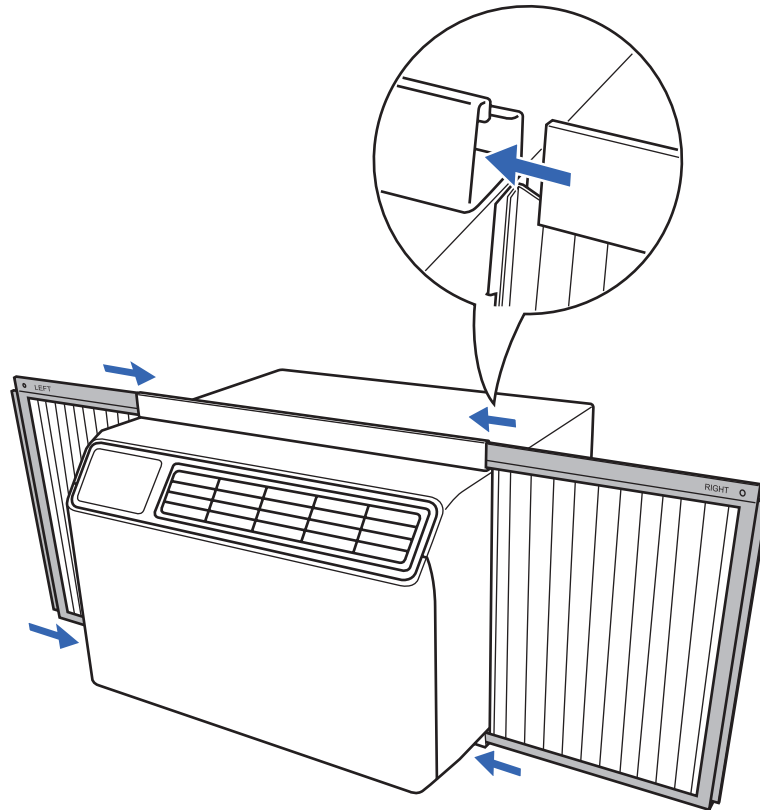


Installation

Attach Filler Panels

3. Insert the filler panels to the top and bottom rails of the window AC.

Installation
Installation



Installation

Install Window AC to the Window

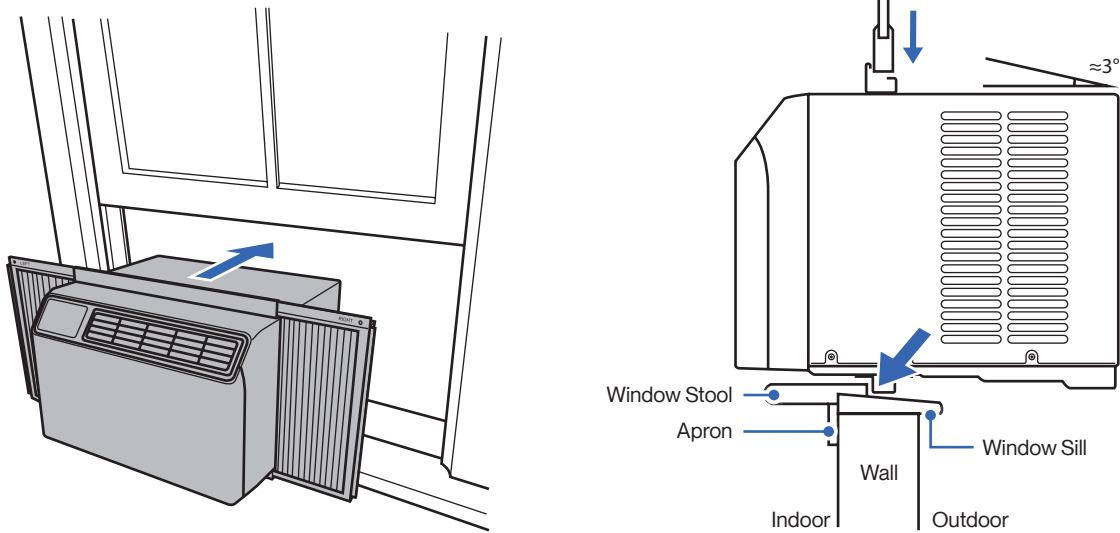
1. Place the AC on the window with the bottom rail rest against the corner of the sill and the stool.
2. Center the AC and close the window sash onto the top mounting rail. The AC should be around 3° tilted towards the outside.

NOTE: Tilt the AC outside to prevent condensate or rain water from back flowing into the house.

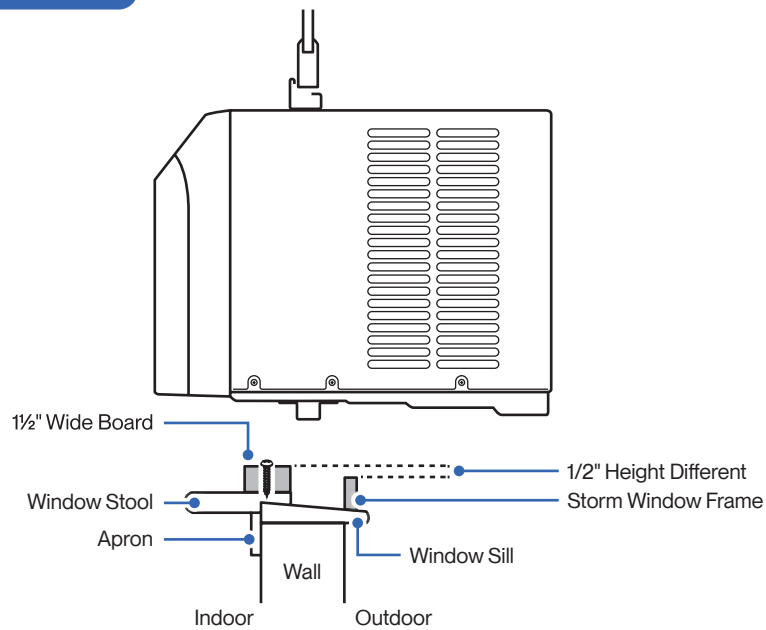


- If installing the window AC on a window with storm window frame, a elevated board need to be installed on top of the window stool in order to keep the AC properly tilted towards outside.

Normal Window



Window with Storm Window Frame

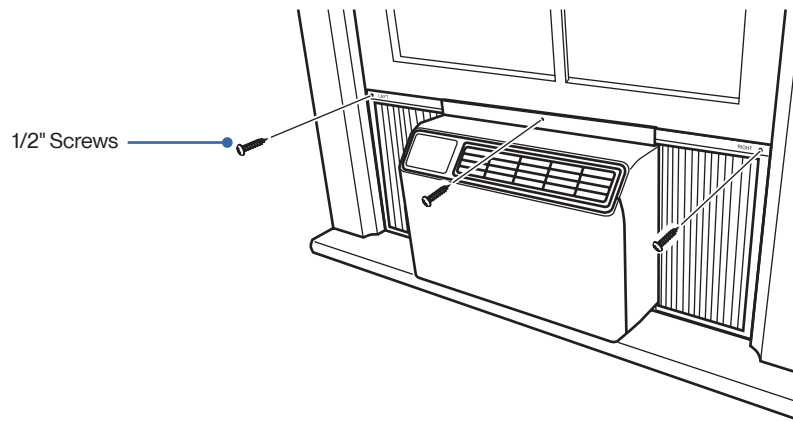
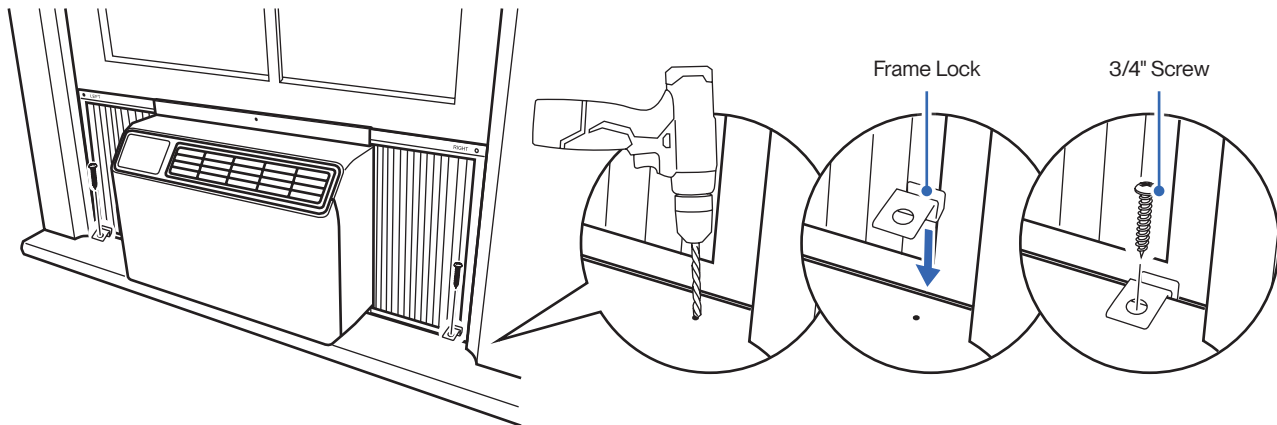
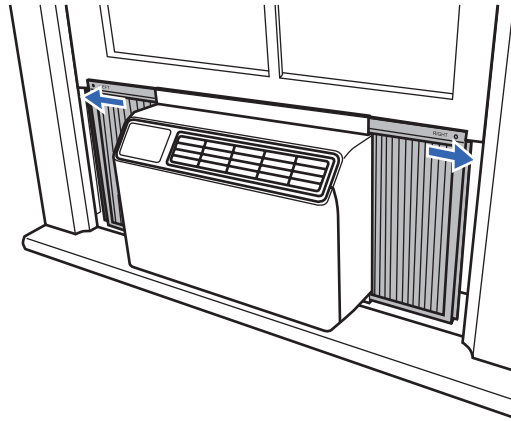


Installation

Secure Window AC In Place

1. Fully extend the filler panels to the sides of the window.
2. Fit frame locks between the filler panels and window stool, then lock them in place with 3/4" screws.
3. Secure the AC top rail and filler panels to the window sash with 1/2" screws.

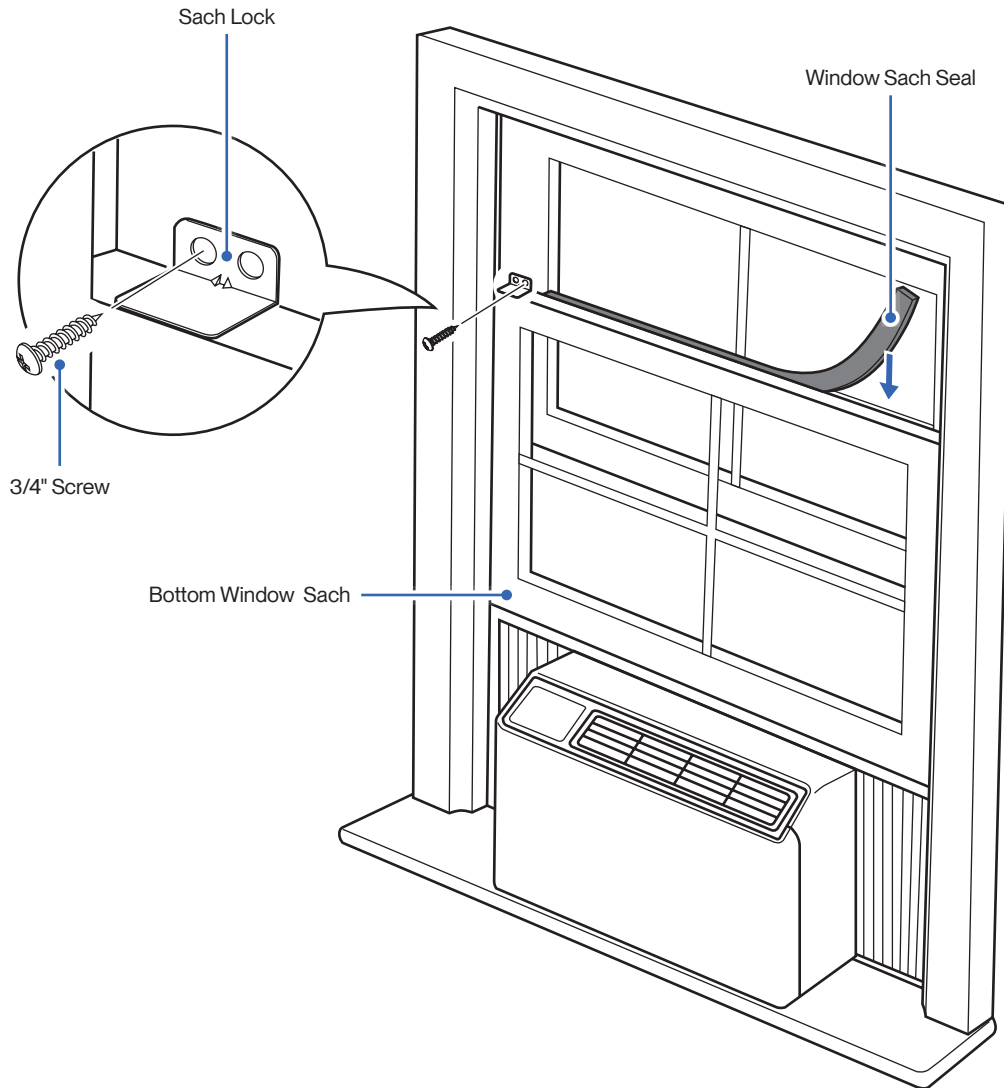
Installation
Installation



Installation

Hold Down the Window Sach and Insulation

1. Make sure the bottom window sach is push down all the way against the window AC, then secure it in place with sach lock and 3/4" screws.
2. Measure and cut window sach seal to the length of your window sach width. Insert the sach seal to the gap between the bottom window sach and top window sach as additional insulation.



WARNING

- Lock down the bottom window sach to prevent the window sach from opening and dropping the window AC out of the window, which could potentially injuring people or animals on the other side.

Installation

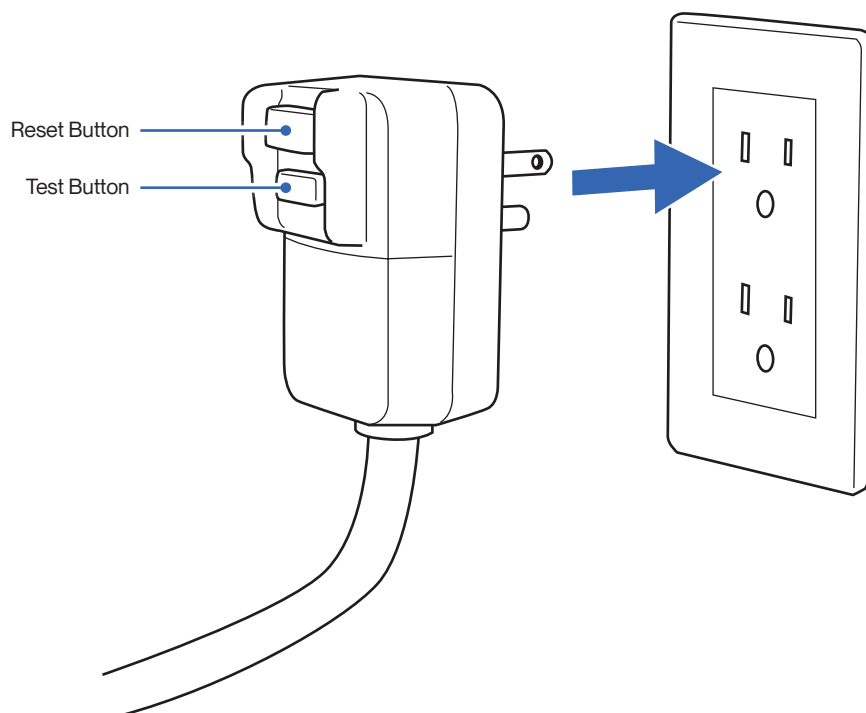
Power Connection

1. Insert the power plug into a wall power socket.



WARNING

- The AC should only be plugged into a 3 prong wall outlet. If a 3 prong is not available, it is the customer's responsibility to have a grounded 3 prong outlet properly installed by a qualified electrician.
- Do not use a power strip or extension cord to minimize the possibility of electrical shocks, sparks, or fire.



Power Plug Testing

This appliance is equipped with a Leakage Current Detection Interrupter (LCDI) plug. LCDI plug will disconnect the unit from power if it senses leakage current.

Test the LCDI plug to check if the plug is functioning properly.

1. Insert the plug into a grounded 3 prong power outlet.
2. Press the RESET button.
3. Press the TEST button. If the plug is functioning properly, the circuit should trip, cutting power and the appliance should not work.
4. Press the RESET button again, you will hear a click and the appliance should work again without any problem.

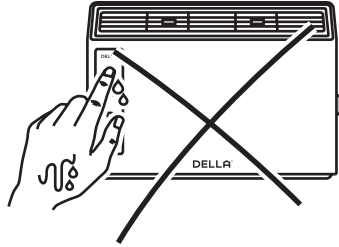


WARNING

- Do not operate the appliance with a defective LCDI plug.

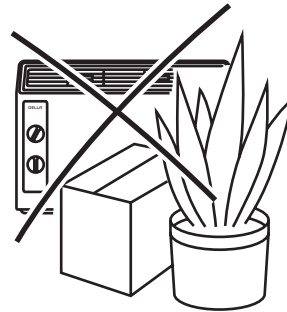
Before Using

Operation Tips



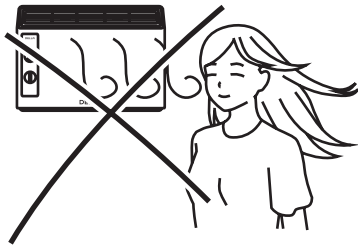
Avoid operating the air conditioner with wet hand.

- It may cause electric shock.



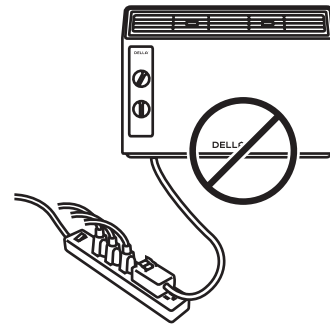
Avoid putting plants or objects around the air conditioner.

- It may block air flow and lower the air conditioner efficiency or cause malfunction.



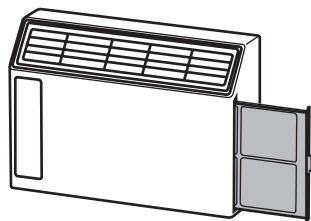
Avoid direct wind flow to people, pets, or plants.

- Expose to direct wind flow for extended period of time may have a negative impact on your health.



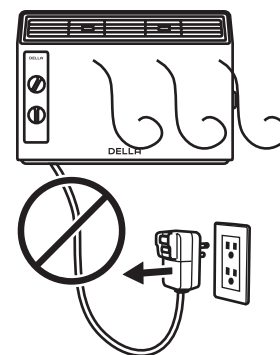
DO NOT plug the air conditioner to a power strip.

- It may leads to power strip overload and overheat, potentially cause electric shock and fire.



Follow cleaning and maintenance routine.

- Regular cleaning and maintenance are needed for the best efficiency and prevent bad odor or water leak.



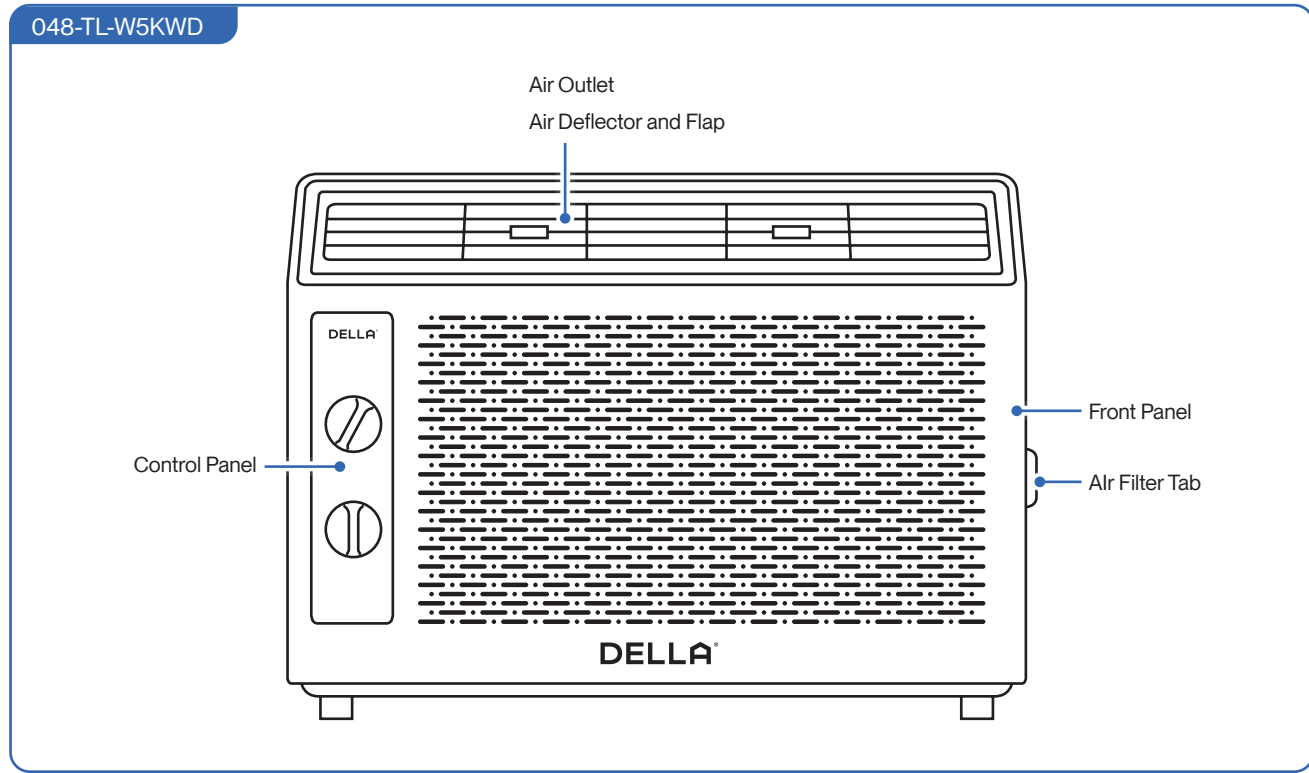
DO NOT disconnect the air conditioner from power socket before shutting down.

- It may cause electric spark and fire.

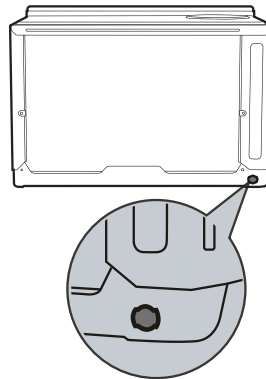
Before Using
Before Using

Before Using

Parts of the Air Conditioner



Drain Plug



Remove the cap located at the back

- Under normal operation, the drain plug should remain in place for optimal performance.
- If excessive condensated water collected inside the drain pan, or if you are planning to not operate the unit for an extended period of time, it is recommended to remove the drain plug and drain all the water from the unit. Plug the drain plug back in place after draining the water.

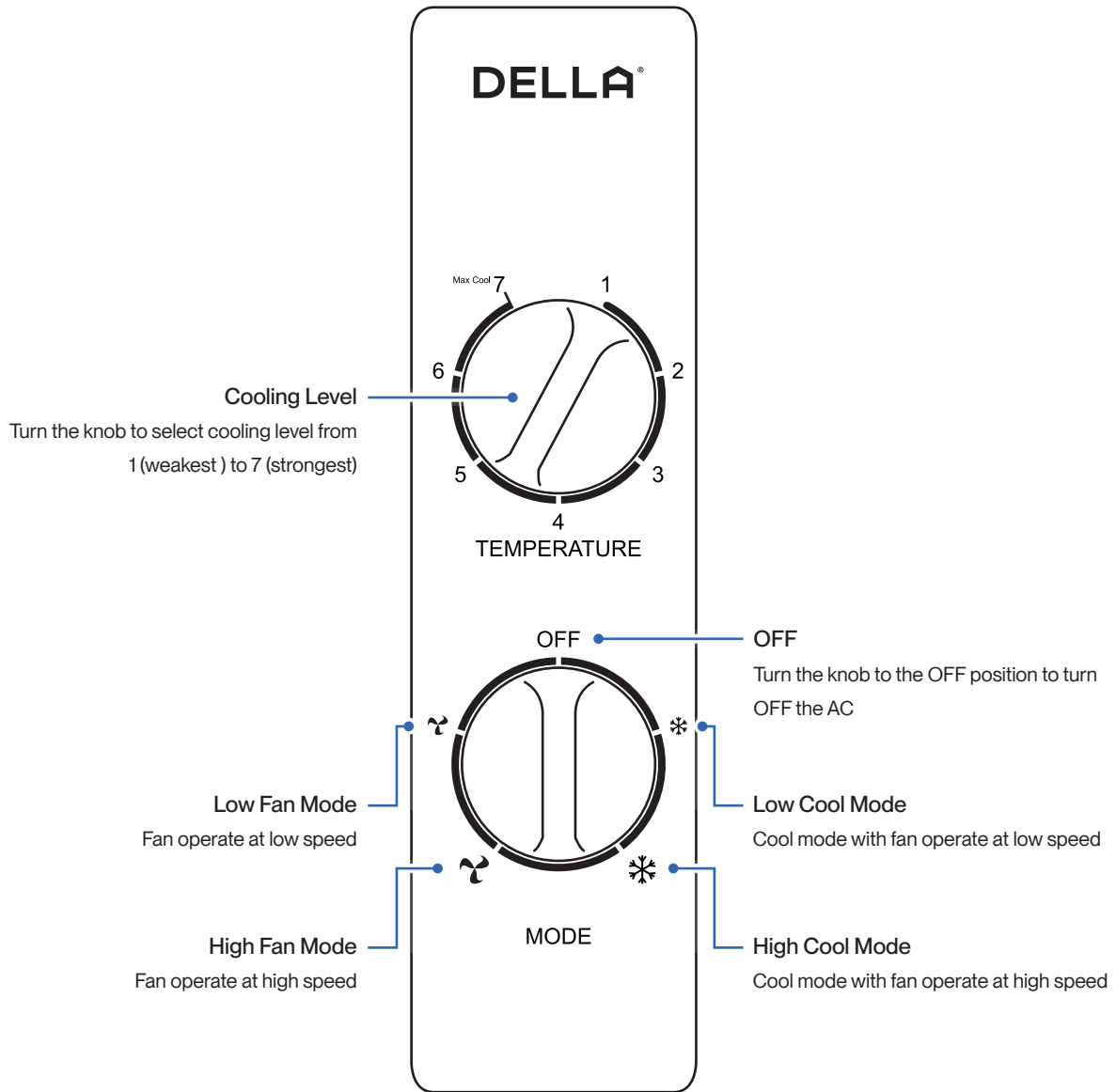
Operation Temperature Limit

Indoor Temperature	61°F - 88°F / 16°C - 31°C
Outdoor Temperature	64°F - 109°F / 18°C - 43°C

Before Using

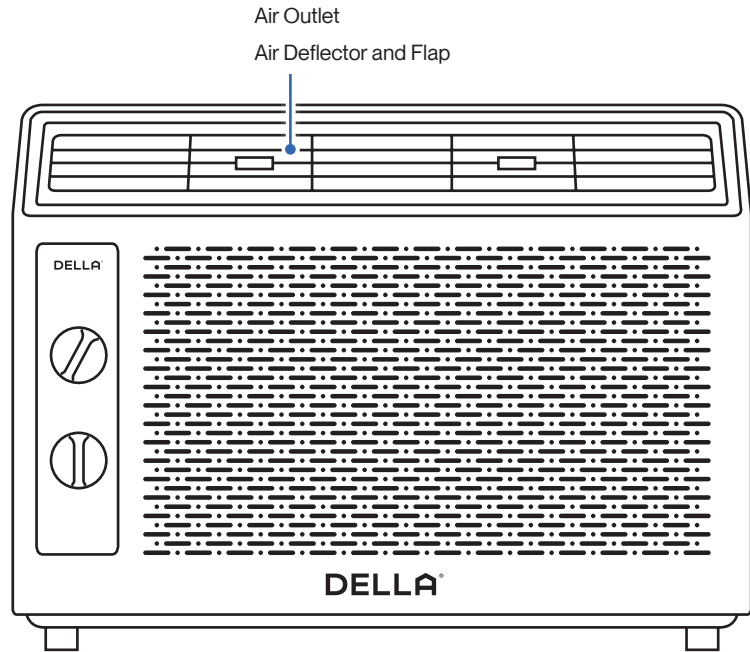
Control Panel

048-TL-W5KWD



Before Using
Before Using

Basic Operation



- Adjust airflow direction by moving the air deflector and flap by hand.

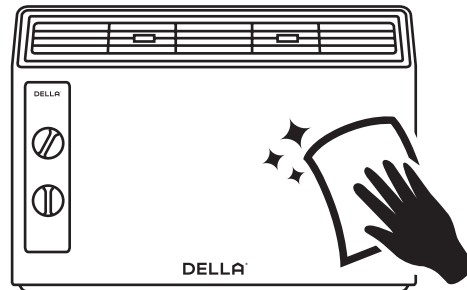
Care and Maintenance



- Before cleaning the unit, you must shut down the machine and cut off the power supply for at least 5 minutes.
- Never flush the air conditioner with water.

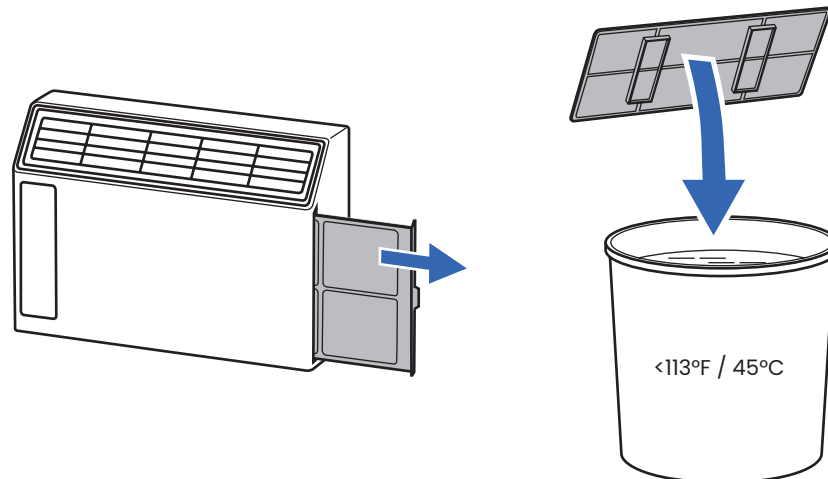
Clean the Unit

1. Clean the air conditioner with a soft dry cloth or a dampened cloth with neutral detergent.
2. Remove any possible debris on the vents and air outlet.



Clean the Air Filter

1. Remove the air filter from the air conditioner.
2. Clean the air filter with soapy water.
3. Air dry the air filter.
4. Put the air filter back to its original position after it is dry.



- Check and clean the air filter regularly to prevent dust accumulation.
- Clean the air filter frequently if the operating environment is dusty or has bad air quality.

Care and Maintenance

Maintenance Routine

- Clean the air filter screen every month.
- Regularly check and remove any obstacles from the air vent.

Planning to Not Operate the Air Conditioner for a Long Period

- Take out the batteries from the remote control and disconnect the power supply of the air conditioner.

Using the Air Conditioner After a Long Idle Period

- Clean the unit and the air filter screen.
- Remove any obstacles at the air inlet and outlet.
- Install batteries into the remote control and connect the power supply to the air conditioner.

Troubleshooting

Before consulting repair or warranty, please check the following troubleshooting guide.

In the case of an persistent problem, contact a qualified technician for diagnosis and repair.



WARNING

- When encountering persisting problem, stop operation and turn off the breaker. Continue operation in an abnormal condition may cause electric shock, fire, or damage to the unit.
- Do not attempt to repair or modify the unit by yourself. Incorrect work may result in electric shock, fire or injury.

Problem	Possible Cause / Explanation / Solution
The air conditioner is non operational	The power cord is not plugged to a electric outlet.
	The house's circuit breaker box tripped. Check and reset the breaker.
	When pressing the power button soon after power failure - The internal protection is acticated, wait for a few minutes for the AC to resume normal operation.
	The LCDI plug tripped. Reset the power plug.
	Fauly electric connection, mismatch outlet voltage, or damaged electronic control board. Contact a qualified technician.
The air conditioner does not cool	Restricted airflow. Try clearing any obstacles blocking the air outlet.
	Check and make sure the temperature setting is below the room temperature.
	Air filter is too dirty. Clean the air filter.
	Cold air is leaking out from the room. Close windows to prevent cold air leaking out.
	Other heat source in the room. Remove heat source.
Strange odor from the air flow	Air filter is too dirty. Clean the air filter.
	The smells of the room, furniture, or cigarettes are absorbed into the unit and then discharged. Remove odorous objects from the room.

Having Problems?
Having Problems?

Troubleshooting

Problem	Possible Cause / Explanation / Solution
Mist comes out from the air outlet	This occurs when the air in the room becomes cold in cool or dry mode. This does not indicate a problem.
Strange Noise	In the case of water flowing noise - The noise may be caused by the refrigerant flow, or the internal water flow during cold / dry mode. This is not a malfunction.
	In the case of plastic cracking noise - The noise may be caused by the thermal expansion on plastic parts and does not indicate a problem..
Water Dripping Outside	This is normal, especially during hot and humid days.
Water Dripping Inside	The air conditioner is not correctly tilted towards outside. Re-position your air conditioner and make sure the unit is slightly tilted downward towards the outside.
The air conditioner does not respond to the remote control commands	Remote Control is too far away from the air conditioner.
	There is an obstruction between the remote control and the air conditioner..
	The battery power has run out in the remote control. Replace the battery.
The display on the air conditioner is not lit	The display is set to off on the remote control. Use the remote control to turn it on.
	Power failure. Check the power supply / circuit breaker.



WARNING

Switch off the air conditioner immediately and cut off the power supply in the event of:

- Strange, loud noises during operation.
- Faulty electronic control board.
- Faulty fuses or switches.
- Spraying water or objects inside the appliance.
- Frequent circuit breaker tripped during operation.
- Abnormally hot or damaged power cord or plug.
- Very strong smells discharging from the appliance.

Disposal Guideline

This appliance contains refrigerant and other potentially hazardous materials. When disposing of the appliance, follow all federal, state, and local regulations. DO NOT dispose of this product as normal household waste or unsorted municipal waste.

When disposing of this appliance, you have the following options:

- Dispose of the appliance at a designated municipal electronic waste collection facility.
- When buying a new appliance, the retailer will take the old appliance.
- The manufacturer may take back the old appliance.
- Sell the appliance to a certified scrap metal dealer.

Warranty



Scan the QR code or visit our page on dellahome.com/pages/warranty to sign up for warranty coverage on your new DELLA appliance.



dellahome.com/pages/warranty

R32 Refrigerant Information

The refrigerant used for this air conditioner is environmentally friendly hydrocarbons R32.

This kind of erant is combustibile and oderless. Moreover it can burn and explode under certain condition. However, there will be no risk of burning and explosion if you comply with the following table to install your air conditioner in a room with an appropriate are and use it coorectly.

Compared with ordinary refrigerants R32 is environmentally friendly and do not destroy the ozone sphere and that its value of greenhouse effect is also verv low.



WARNING

- Please read the manual before installation, using, and maintenance.
- Do not use means to accelerate the defrosting process other than those recommended by the manufacturer.
- Do not pierce or burn the appliance.
- The appliance shall be stored in a room without continuously operating heat sources, such as open flame, operating ignition gas appliance or electric heater.
- Please contact the professionals when maintenance is necessary. Maintenance must comply with the manual provided by the manufacturer.
- The handling, installation, storage, servicing, and disposal must comply with national, state, and local laws and regulation.
- It is necessary to recover the refrigerant in the system before some maintenance work, or scrapping the air conditioner.
- Outdoor temperature operation limit: 61°F - 110°F, outdoor relative humidity: 80%
- Indoor temperature operation limit: 61°F - 90°F, indoor relative humidity: 80%



DELLA[®]

DELLA[®]



 www.dellahome.com

 support@dellahome.com

 800-863-4143

 6:00 a.m. – 4:00 p.m. PST Monday – Friday

© Della All rights reserved.

The design and specifications are subject to change without prior notice for product improvement. Any updates to the manual will be uploaded to the della website.
