

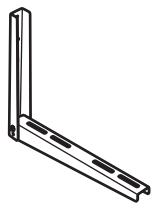
Warning and Safety

- Read this guide before installation. Failure to follow the safety instructions may result in property damage or serious injury.
- Please Keep this manual.

⚠ Warning

- Do not alter, change, or modify this product. Modification might result in weaken structural stretch of the rack and lead to failure.
- Make sure all the bolts and nuts are tighten and the rack is firmly attached to the wall before use.
- Be caution of sharp edges of the rack.
- This rack is only designed to be used for mounting mini split AC outdoor unit. Do not use it for other purposes.
- Do not climb on the rack.

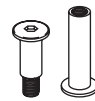
Package Content



Mounting Rack
2x



M8 x 83 Mounting Bolt
6x



Pivot Bolt Set
2x



Hex Key
2x



Dampening Pad
4x

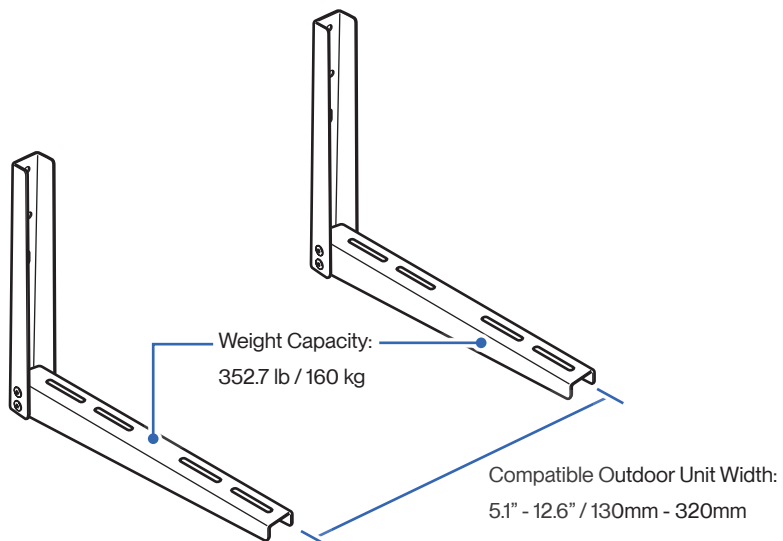


M8 x 30 Bolt
4x



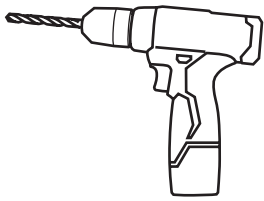
M8 Nut
4x

Installation Preview

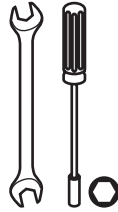


Installation Instruction

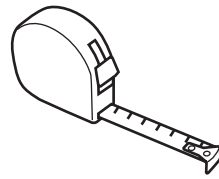
Tools Needed (Not included)



Electric Drill



Hex Nut Driver / Wrench

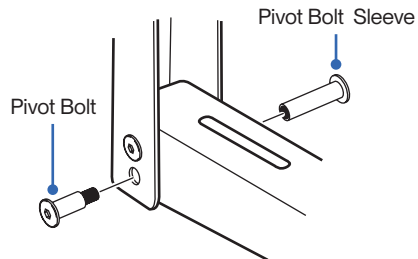


Measuring Tape

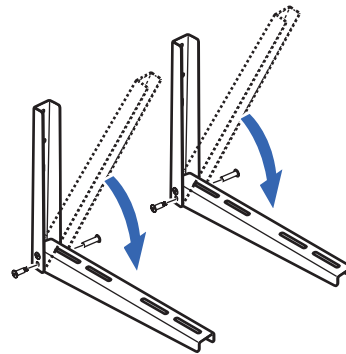


Spirit Level

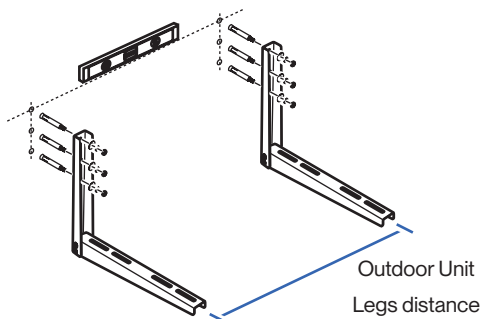
01



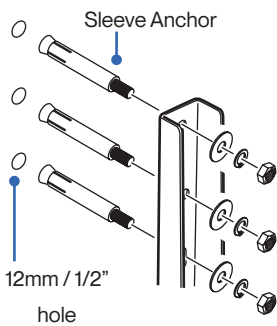
- Unfold the rack and lock the arm in place with the provided pivot bolt set.



02

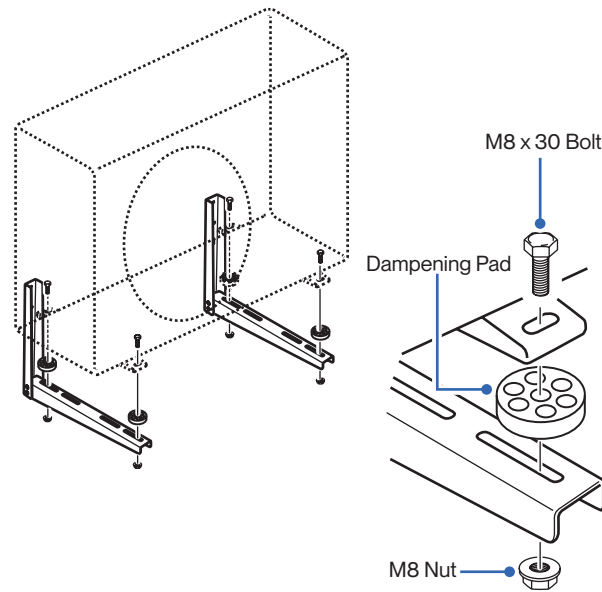


- Measure the width of your outdoor unit and mark the drilling position on your wall. Make sure the wall can hold the weight of your rack and AC.
- Affix the rack on the wall. Make sure the rack is leveled.



- The provided sleeve anchor can be used on both concrete wall or wood stud.
- Alternatively, you can use heavy duty coach screws (not included) to mount the bracket on the wall.

03



- Place the dampening pad on the rack then mount the mini split outdoor unit onto the rack.
- Tighten all the fasteners, bolts, and nuts.

© Della All rights reserved.

www.dellahome.com

support@dellahome.com

800-863-4143

6:00 a.m. - 4:00 p.m. PST Monday - Friday

The design and specifications are subject to change without prior notice for product improvement. Any updates to the manual will be uploaded to the della website.