

Included Parts

3" Wide Lineset cover

	Wall Entry Cover	Ceiling Entry Cover	Straight Duct (39")	Straight Duct Joint	Horizontal Elbow	Vertical Elbow	Flexible Duct (20")	End Duct
048-LSC-3-7	1x	/	2x	1x	1x	1x	/	1x
048-LSC-3-9S	1x	/	2x	1x	1x	1x	1x	1x
048-LSC-3-11	1x	/	3x	2x	1x	1x	/	1x
048-LSC-3-12S	1x	/	3x	2x	1x	1x	1x	1x
048-LSC-3-15S	1x	/	4x	3x	1x	1x	1x	1x

4" Wide Lineset cover

	Wall Entry Cover	Ceiling Entry Cover	Straight Duct (39")	Straight Duct Joint	Horizontal Elbow	Vertical Elbow	Flexible Duct (20")	End Duct
048-LSC-4-7	1x	/	2x	1x	1x	1x	/	1x
048-LSC-4-9S	1x	/	2x	1x	1x	1x	1x	1x
048-LSC-4-11	1x	/	3x	2x	1x	1x	/	1x
048-LSC-4-13S	1x	/	3x	2x	1x	1x	1x	1x
048-LSC-4-16S	1x	1x	5x	4x	1x	2x	2x	1x

This instruction is universal for both 3" and 4" width lineset cover.

www.dellahome.com
support@dellahome.com
 800-863-4143
 6:00 a.m. - 4:00 p.m. PST Monday - Friday

© Della All rights reserved.

The design and specifications are subject to change without prior notice for product improvement. Any updates to the manual will be uploaded to the della website.

Warning and Safety

- Read this guide before installation. Failure to follow the safety instructions may result in property damage, serious injury, or death.
- Please keep this manual.

Warning

- Make sure your footing is stable when working on high ground, such as when using ladders.
- Be cautious of sharp edges of parts and cutting saw.
- The lineset cover mounting base must be firmly attached to the wall. Use a wall anchor, if needed.

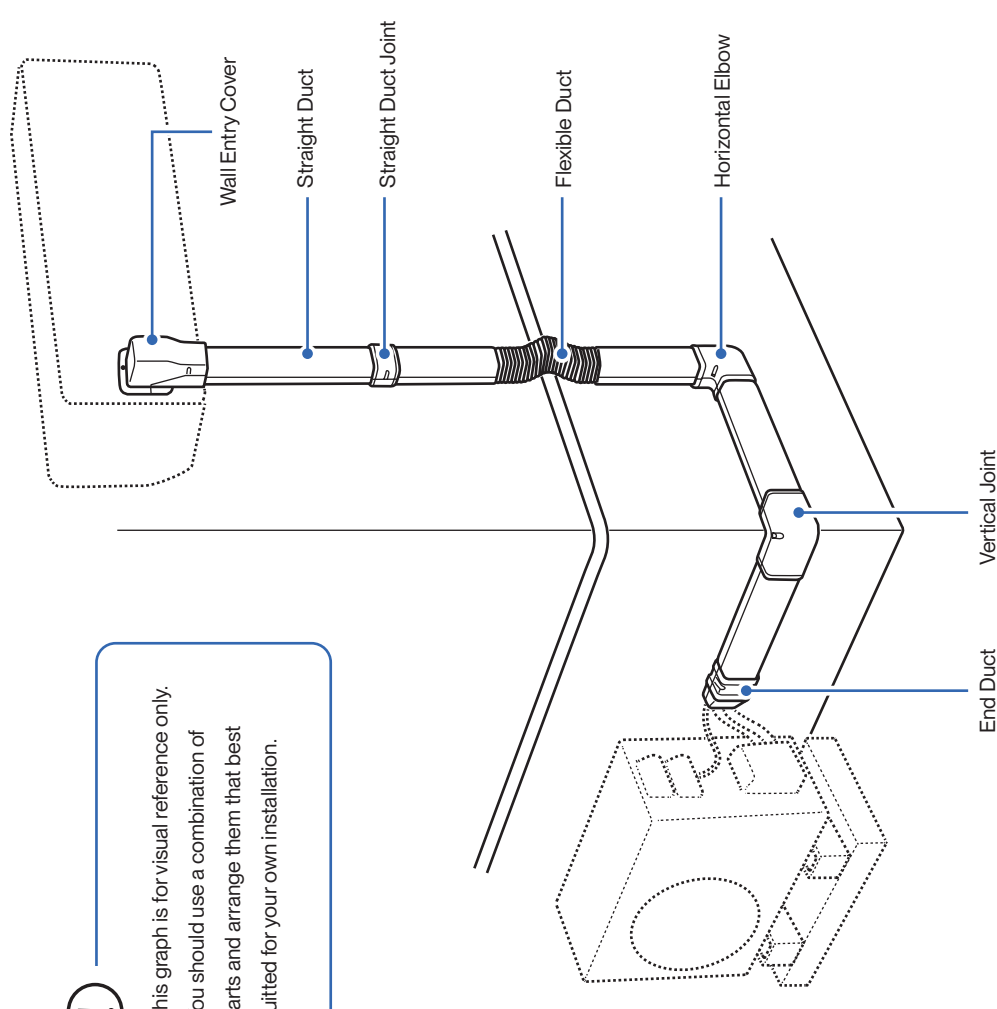
Attention

- This lineset cover is only designed to be used for covering air conditioner lineset. Do not use it for other purposes.
- PVC parts may deform in hot weather or becomes brittle in cold weather. Avoid installation during extremely hot or cold days.

Installation Example

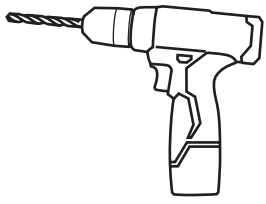


- This graph is for visual reference only.
- You should use a combination of parts and arrange them that best suited for your own installation.



Installation Instruction

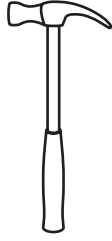
Tools Needed (Not included)



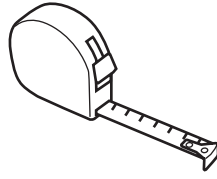
Electric Drill



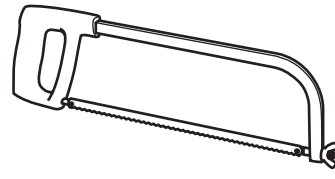
Screw Driver



Hammer



Measuring Tape

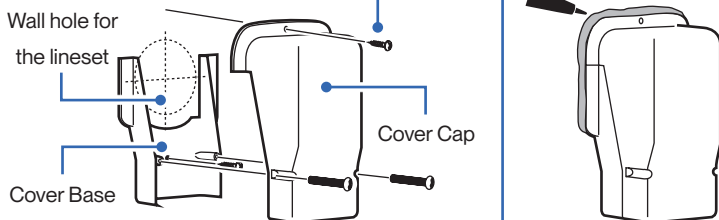


Hacksaw



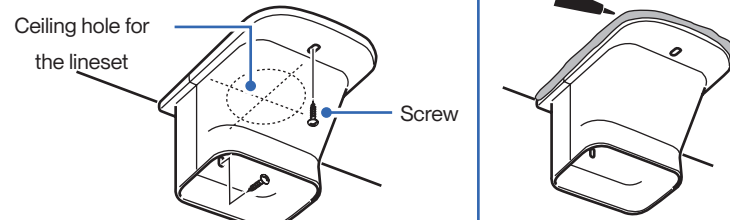
- Lineset cover must be secured on the wall. Make sure to use the correct type of screws and wall anchor for your specific type of wall.

Wall Entry Cover



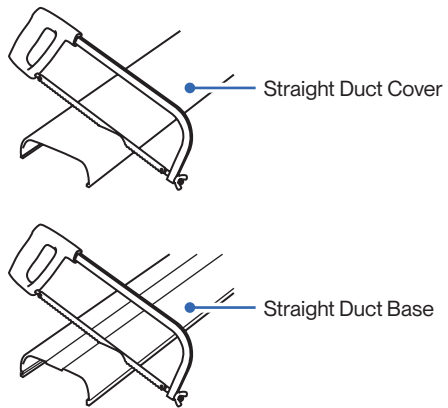
- Place the wall entry cover over the wall hole for the AC lineset.
- Tips: Seal the edge with sealant / putty to prevent water from getting in.

Ceiling Entry Cover

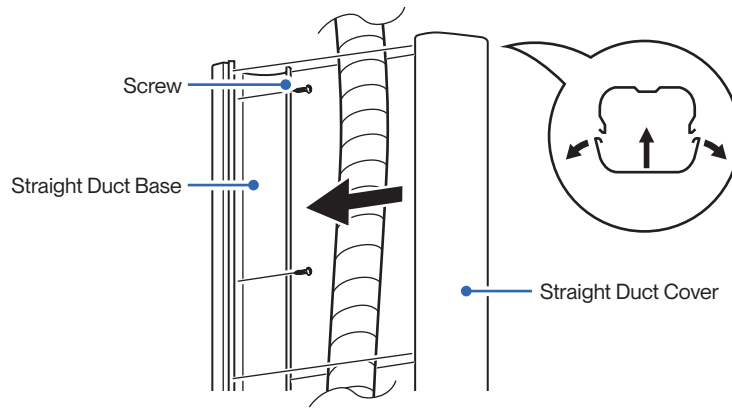


- Place the ceiling entry cover over the ceiling hole for the AC lineset.
- Tips: Seal the edge with sealant / putty to prevent water from getting in.

Straight Duct

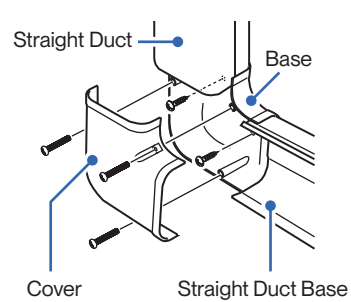


- You can cut the straight duct to your desired length.
- Burrs may appear after cutting the duct, you can remove burrs with sandpaper.
- The base and cover must be cut to the same length.



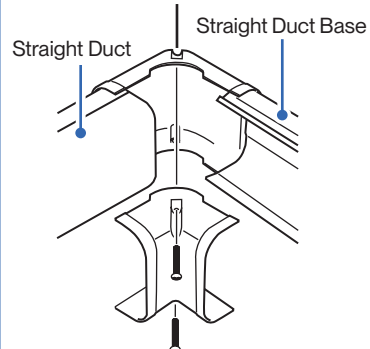
- First, install the straight duct base on the wall. Then position the lineset inside the base and place the straight duct cover on top.

Horizontal Elbow



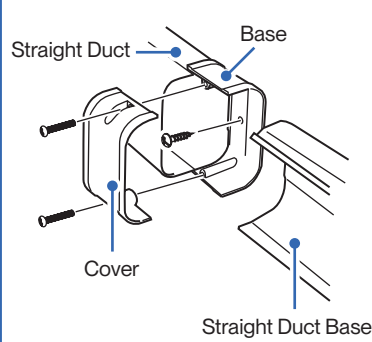
- Horizontal Elbow can be used for a 90° bent on the wall.

Vertical Elbow



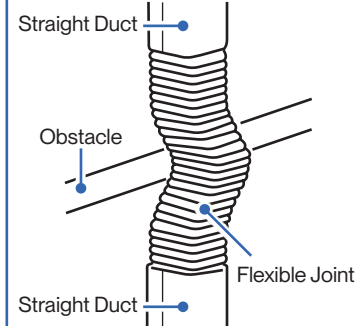
- Vertical Elbow can be used for a 90° bent around the wall.

Straight Duct Joint



- Use the straight duct joint to connect 2 ducts in a straight line.

Flexible Joint



- The AC lineset must pass through the flexible joint first before installation

End Duct

